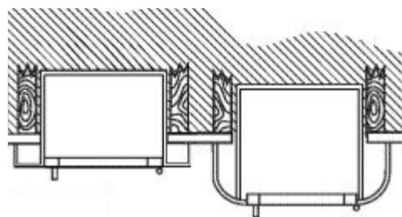
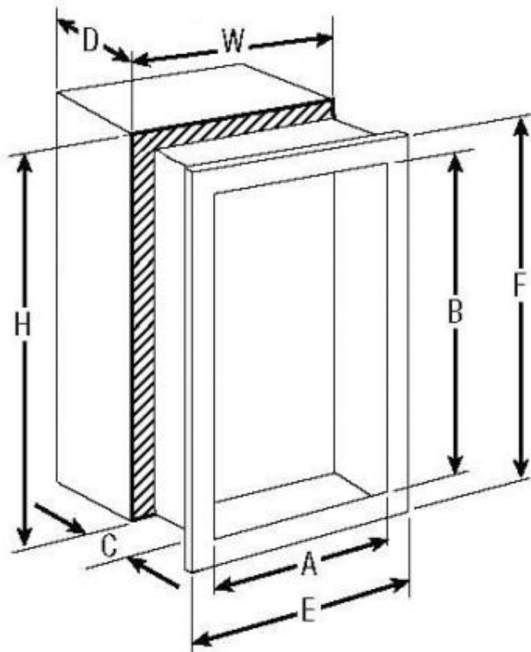


# FX-2 SEMI-RECESSED TRIM SUBMITTAL : DIMENSIONS

DOOR SERIES #	Tub I.D.			Frame O.D.		Wall Opening		
	A	B	C	E	F	W	H	D
18x6	10-1/2	24	5-1/2	13 7/8	27 3/8	12 13/16	26 5/16	5 13/16
18x7	10-1/2	24	5-1/2	13 7/8	27 3/8	12 13/16	26 5/16	3 5/8
10x6	10-1/2	24	6	13 7/8	27 3/8	12 13/16	26 5/16	5 11/16
10x7	10-1/2	24	6	13 7/8	27 3/8	12 13/16	26 5/16	4
20x6	12	27	7 3/4	15 3/8	30 3/8	14 5/16	29 5/16	7 11/16



1-1/2" or 1-1/4"  
Square Trim

3" Rolled  
Trim

